

NEMA 34

0.72°

Round

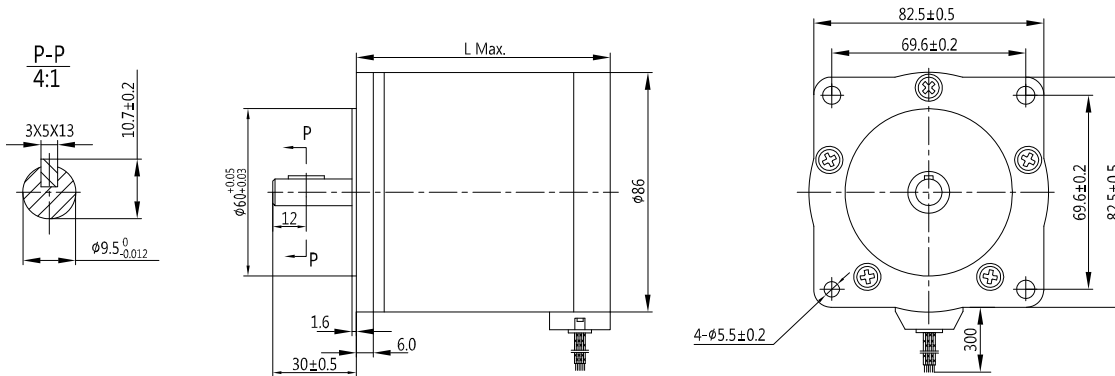
Step Angle	0.72°
Step Angle Accuracy	±5% (full step, no load)
Resistance Accuracy	±10%
Inductance Accuracy	±20%
Temperature Rise	80 °C Max.(rated current)
Ambient Temperature	-20 °C ~ +50 °C
Insulation Resistance	100 MΩ Min., 500VDC
Dielectric Strength	820VAC, 1s, 3mA
Shaft Radial Play	0.02 Max. (450 g-load)
Shaft Axial Play	0.08 Max. (450 g-load)



## Specifications

Model	Current	Resistance	Inductance	Holding Torque	Detent Torque	Rotor Inertia	# of Leads	Weight	Length
	A/∅	Ω/∅	mH/∅	N.cm	N.cm	kg.cm <sup>2</sup>	Pin	kg	mm
PHB86F63-508	0.8	5.5	24	180	4.5	0.64	5	1.6	63
PHB86F63-515	1.5	1.5	5.6	180	4.5	0.64	5	1.6	63
PHB86F92-515	1.5	2.0	11	320	6.5	1.30	5	2.6	92
PHB86F122-515	1.5	2.5	12	450	10.5	1.90	5	3.8	122

## Mechanical Dimension



## Wiring Diagram

5 Leads

