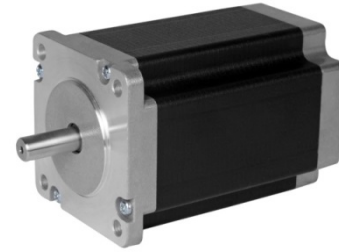


NEMA 24

1.8°

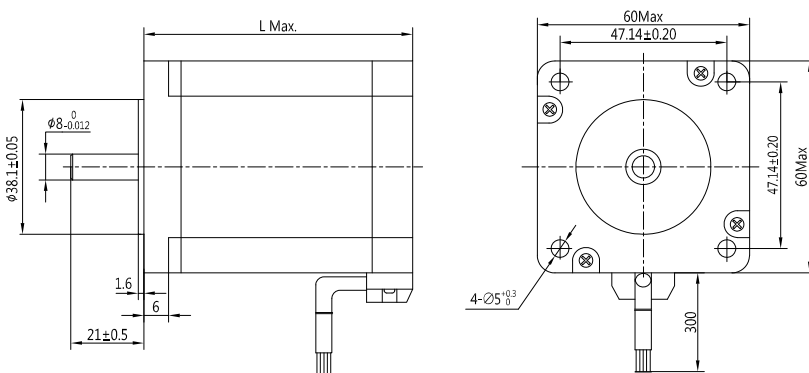
Step Angle	1.8°
Step Angle Accuracy	±5% (full step, no load)
Resistance Accuracy	±10%
Inductance Accuracy	±20%
Temperature Rise	80 °C Max.(rated current, 2 phase on)
Ambient Temperature	-20 °C ~ +50 °C
Insulation Resistance	100 MΩ Min., 500VDC
Dielectric Strength	500 VAC for one minute
Shaft Radial Play	0.02 Max. (450 g-load)
Shaft Axial Play	0.08 Max. (450 g-load)



Specifications

Model	Current	Resistance	Inductance	Holding Torque	Detent Torque	Rotor Inertia	Bi/Unipolar	Weight	Length
	A/∅	Ω/∅	mH/∅	N.cm	N.cm	g.cm ²	# of Leads	g	mm
PHB60S41-420	2.0	1.2	2.5	64	3.0	180	Bi (4)	500	41
PHB60S45-425	2.5	1.0	2.2	85	3.5	200	Bi (4)	550	45
PHB60S51-425	2.5	1.2	3.2	140	4.0	250	Bi (4)	600	51
PHB60S56-425	2.5	1.3	4.2	160	4.0	350	Bi (4)	700	56
PHB60S56-430	3.0	0.8	2.4	160	4.0	350	Bi (4)	700	56
PHB60S56-404	4.2	0.4	1.2	160	4.0	350	Bi (4)	700	56
PHB60S64-425	2.5	1.5	4.5	180	5.0	450	Bi (4)	950	64
PHB60S64-430	3.0	0.8	2.3	180	5.0	450	Bi (4)	950	64
PHB60S64-404	4.2	0.55	1.2	180	5.0	450	Bi (4)	950	64
PHB60S76-425	2.5	1.8	6.5	220	7.0	550	Bi (4)	1150	76
PHB60S76-430	3.0	1.0	3.5	220	7.0	550	Bi (4)	1150	76
PHB60S76-404	4.2	0.6	1.8	220	7.0	550	Bi (4)	1150	76
PHB60S90-430	3.0	1.4	5.5	260	12.0	780	Bi (4)	1400	90
PHB60S90-404	4.2	0.8	3.0	260	12.0	780	Bi (4)	1400	90

Mechanical Dimension



Wiring Diagram

