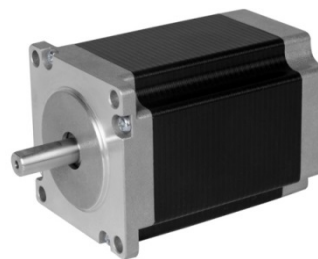


NEMA 23

1.2°

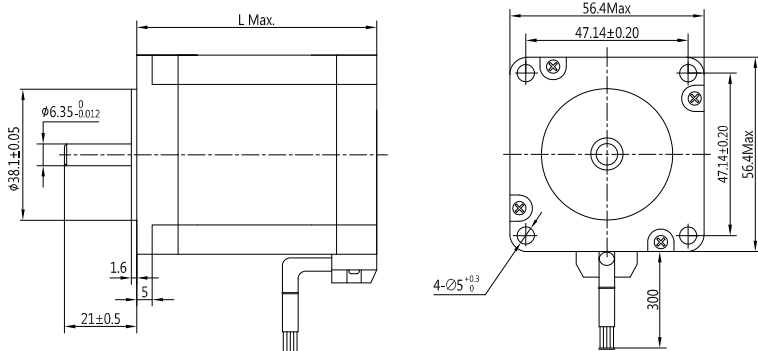
Step Angle	1.2°
Step Angle Accuracy	±5% (full step, no load)
Resistance Accuracy	±10%
Inductance Accuracy	±20%
Temperature Rise	80 °C Max.(rated current)
Ambient Temperature	-20 °C ~ +50 °C
Insulation Resistance	100 MΩ Min., 500VDC
Dielectric Strength	500 VAC for one minute
Shaft Radial Play	0.02 Max. (450 g-load)
Shaft Axial Play	0.08 Max. (450 g-load)



## Specifications

Model	Current	Resistance	Inductance	Holding Torque	Detent Torque	Rotor Inertia	# of Leads	Weight	Length
	A/∅	Ω/∅	mH/∅	N.cm	N.cm	g.cm <sup>2</sup>	Pin	g	mm
PHB57T56-607	4.6	0.7	1.7	80	4.0	300	6	700	56
PHB57T78-608	5.2	0.8	1.8	150	7.0	440	6	1050	78
PHB57T80-620	3.1	0.65	2.0	160	8.0	480	6	1100	80

## Mechanical Dimension



## Wiring Diagram

