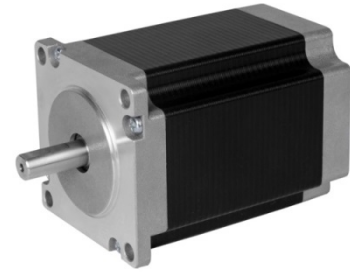


NEMA 23

1.8°

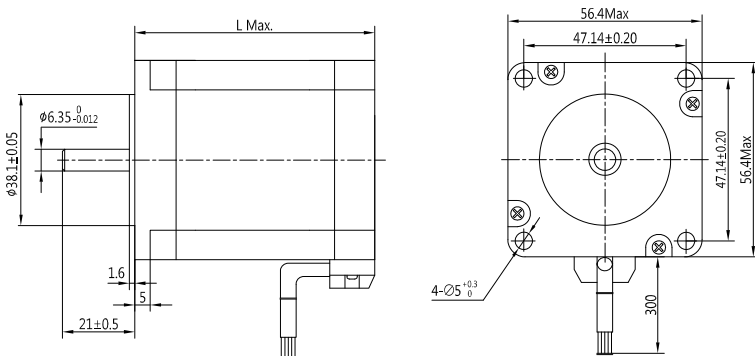
Step Angle	1.8°
Step Angle Accuracy	±5% (full step, no load)
Resistance Accuracy	±10%
Inductance Accuracy	±20%
Temperature Rise	80 °C Max.(rated current, 2 phase on)
Ambient Temperature	-20 °C ~ +50 °C
Insulation Resistance	100 MΩ Min., 500VDC
Dielectric Strength	500 VAC for one minute
Shaft Radial Play	0.02 Max. (450 g-load)
Shaft Axial Play	0.08 Max. (450 g-load)



Specifications

Model	Current	Resistance	Inductance	Holding Torque	Detent Torque	Rotor Inertia	Bi/Unipolar	Weight	Length
	A/∅	Ω/∅	mH/∅	N.cm	N.cm	g.cm ²	# of Leads	g	mm
PHB57S41-412	0.62	12	24	55	2.5	150	Bi (4)	470	41
PHB57S41-420	2.0	1.2	2.5	55	2.5	150	Bi (4)	470	41
PHB57S41-601	1.0	5.2	5.5	40	2.5	150	Uni (6)	470	41
PHB57S45-406	0.62	12	26	80	2.8	190	Bi (4)	520	45
PHB57S45-425	2.5	1.0	2.2	80	2.8	190	Bi (4)	520	45
PHB57S51-406	0.62	13	28	90	3.0	230	Bi (4)	590	51
PHB57S51-425	2.5	1.2	3.2	90	3.0	230	Bi (4)	590	51
PHB57S51-601	0.8	6.8	9.2	70	3.0	230	Uni (6)	590	51
PHB57S56-425	2.5	1.3	4.2	110	3.5	280	Bi (4)	680	56
PHB57S56-430	3.0	0.8	2.4	110	3.5	280	Bi (4)	680	56
PHB57S56-404	4.2	0.4	1.2	110	3.5	280	Bi (4)	680	56
PHB57S56-601	1.5	3.2	5.5	90	3.5	280	Uni (6)	680	56
PHB57S64-401	1.0	7.5	20	150	5.0	380	Bi (4)	850	64
PHB57S64-425	2.5	1.5	4.5	150	5.0	380	Bi (4)	850	64
PHB57S64-430	3.0	0.8	2.3	150	5.0	380	Bi (4)	850	64
PHB57S64-404	4.2	0.55	1.2	150	5.0	380	Bi (4)	850	64
PHB57S76-425	2.5	1.8	6.5	180	6.0	440	Bi (4)	1050	76
PHB57S76-430	3.0	1.0	3.5	180	6.0	440	Bi (4)	1050	76
PHB57S76-404	4.2	0.6	1.8	180	6.0	440	Bi (4)	1050	76
PHB57S76-601	1.5	4.5	7.8	140	6.0	440	Uni (6)	1050	76
PHB57S100-430	3.0	1.4	5.5	250	10	680	Bi (4)	1250	100
PHB57S100-404	4.2	0.8	3.0	250	10	680	Bi (4)	1250	100
PHB57S112-430	3.0	1.6	6.8	280	12	800	Bi (4)	1400	112
PHB57S112-404	4.2	0.9	3.8	280	12	800	Bi (4)	1400	112

Mechanical Dimension



Wiring Diagram

