

NEMA 23

0.9°

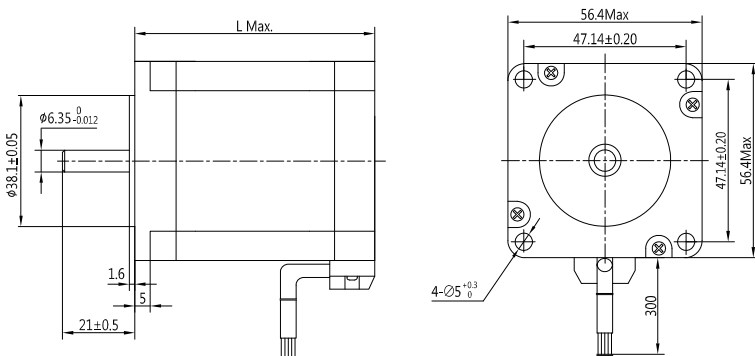
Step Angle	0.9°
Step Angle Accuracy	±5% (full step, no load)
Resistance Accuracy	±10%
Inductance Accuracy	±20%
Temperature Rise	80 °C Max.(rated current, 2 phase on)
Ambient Temperature	-20 °C ~ +50 °C
Insulation Resistance	100 MΩ Min., 500VDC
Dielectric Strength	500 VAC for one minute
Shaft Radial Play	0.02 Max. (450 g-load)
Shaft Axial Play	0.08 Max. (450 g-load)



## Specifications

Model	Current	Resistance	Inductance	Holding Torque	Detent Torque	Rotor Inertia	Bi/Unipolar	Weight	Length
	A/∅	Ω/∅	mH/∅	N.cm	N.cm	g.cm <sup>2</sup>	# of Leads	g	mm
PHB57M41-406	0.62	12	28	32	2.5	150	Bi (4)	470	41
PHB57M41-420	2.0	1.2	3.0	32	2.5	150	Bi (4)	470	41
PHB57M41-601	1.0	5.2	6.2	24	2.5	150	Uni (6)	470	41
PHB57M45-425	2.5	1.0	3.0	62	2.8	190	Bi (4)	520	45
PHB57M51-406	0.62	13	34	70	3.0	230	Bi (4)	590	51
PHB57M51-425	2.5	1.2	3.8	70	3.0	230	Bi (4)	590	51
PHB57M56-425	2.5	1.3	5.2	100	3.5	280	Bi (4)	680	56
PHB57M56-430	3.0	0.8	2.8	100	3.5	280	Bi (4)	680	56
PHB57M56-404	4.2	0.4	1.5	100	3.5	280	Bi (4)	680	56
PHB57M56-601	1.5	3.2	6.5	82	3.5	280	Uni (6)	680	56
PHB57M64-401	1.0	7.5	28	110	5.0	380	Bi (4)	850	64
PHB57M64-425	2.5	1.5	5.8	110	5.0	380	Bi (4)	850	64
PHB57M64-430	3.0	0.9	3.0	110	5.0	380	Bi (4)	850	64
PHB57M64-404	4.2	0.55	1.5	110	5.0	380	Bi (4)	850	64
PHB57M76-425	2.5	1.8	8.2	150	6.0	440	Bi (4)	1050	76
PHB57M76-430	3.0	1.0	4.3	150	6.0	440	Bi (4)	1050	76
PHB57M76-404	4.2	0.65	2.2	150	6.0	440	Bi (4)	1050	76
PHB57M76-601	1.5	4.5	10	125	6.0	440	Uni (6)	1050	76

## Mechanical Dimension



## Wiring Diagram

