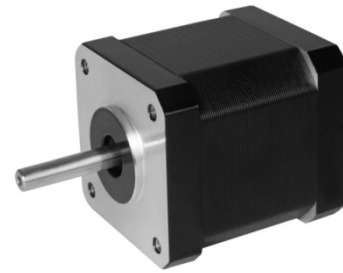


NEMA 17

0.9°

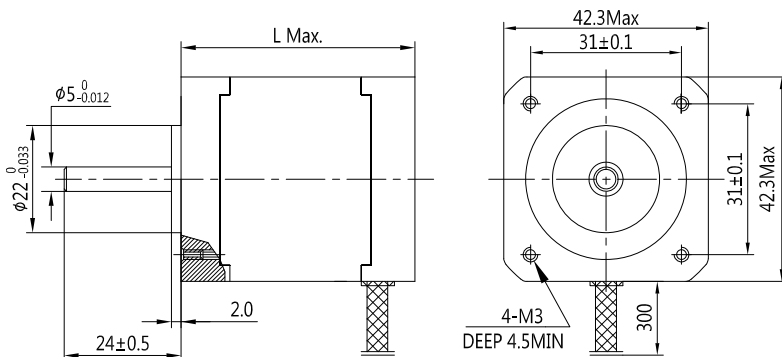
Step Angle	0.9°
Step Angle Accuracy	±5% (full step, no load)
Resistance Accuracy	±10%
Inductance Accuracy	±20%
Temperature Rise	80 °C Max.(rated current, 2 phase on)
Ambient Temperature	-20 °C ~ +50 °C
Insulation Resistance	100 MΩ Min., 500VDC
Dielectric Strength	500 VAC for one minute
Shaft Radial Play	0.02 Max. (450 g-load)
Shaft Axial Play	0.08 Max. (450 g-load)



Specifications

Model	Current	Resistance	Inductance	Holding Torque	Detent Torque	Rotor Inertia	Bi/Unipolar	Weight	Length
	A/∅	Ω/∅	mH/∅	N.cm	N.cm	g.cm ²	# of Leads	g	mm
PHB42W21-403	0.3	25	36	8	0.7	15	Bi (4)	120	21
PHB42W28-406	0.6	9	9	10	0.9	20	Bi (4)	150	28
PHB42W34-401	1.3	2.4	3.6	24	1.2	34	Bi (4)	220	34
PHB42W34-402	1.7	1.2	2.2	24	1.2	34	Bi (4)	220	34
PHB42W34-430	0.4	30	45	24	1.2	34	Bi (4)	220	34
PHB42W34-630	0.4	30	22	20	1.2	34	Uni (6)	220	34
PHB42W40-401	1.3	2.5	6.2	36	1.8	54	Bi (4)	280	40
PHB42W40-402	1.7	1.5	3.8	36	1.8	54	Bi (4)	280	40
PHB42W40-601	1.2	3.2	3.8	26	1.8	54	Uni (6)	280	40
PHB42W40-630	0.4	30	34	26	1.8	54	Uni (6)	280	40
PHB42W48-401	1.3	3.0	7.0	42	2.2	68	Bi (4)	350	48
PHB42W48-402	1.7	1.8	4.0	42	2.2	68	Bi (4)	350	48
PHB42W48-403	2.3	1.2	2.0	42	2.2	68	Bi (4)	350	48
PHB42W48-630	0.4	30	28	27	2.2	68	Uni (6)	350	48

Mechanical Dimension



Wiring Diagram

