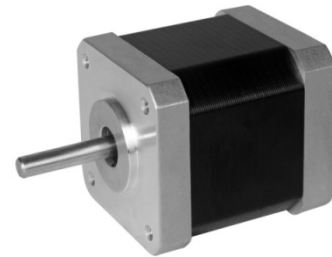


NEMA 17

1.8°

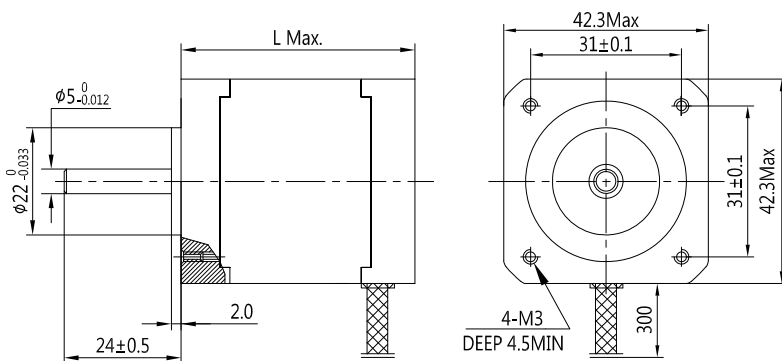


Step Angle	1.8°
Step Angle Accuracy	±5% (full step, no load)
Resistance Accuracy	±10%
Inductance Accuracy	±20%
Temperature Rise	80 °C Max.(rated current, 2 phase on)
Ambient Temperature	-20 °C ~ +50 °C
Insulation Resistance	100 MΩ Min., 500VDC
Dielectric Strength	500 VAC for one minute
Shaft Radial Play	0.02 Max. (450 g-load)
Shaft Axial Play	0.08 Max. (450 g-load)

Specifications

Model	Current	Resistance	Inductance	Holding Torque	Detent Torque	Rotor Inertia	Bi/Unipolar	Weight	Length
	A/∅	Ω/∅	mH/∅	N.cm	N.cm	g.cm ²	# of Leads	g	mm
PHB42S20-410	0.8	3.8	4.5	10	1.0	24	Bi (4)	120	20
PHB42S28-406	0.6	8.0	10	12	1.2	30	Bi (4)	150	28
PHB42S34-401	1.3	2.4	2.8	28	1.6	34	Bi (4)	220	34
PHB42S34-402	1.7	1.2	1.8	28	1.6	34	Bi (4)	220	34
PHB42S34-430	0.4	30	35	28	1.6	34	Bi (4)	220	34
PHB42S34-630	0.4	30	18	21	1.6	34	Uni (6)	220	34
PHB42S40-401	1.3	2.5	5.0	40	2.2	54	Bi (4)	280	40
PHB42S40-402	1.7	1.5	2.8	40	2.2	54	Bi (4)	280	40
PHB42S40-601	1.2	3.2	2.8	28	2.2	54	Uni (6)	280	40
PHB42S40-630	0.4	30	28	28	2.2	54	Uni (6)	280	40
PHB42S48-401	1.3	3.2	5.5	52	2.6	68	Bi (4)	350	48
PHB42S48-402	1.7	1.8	3.2	52	2.6	68	Bi (4)	350	48
PHB42S48-403	2.3	1.2	1.6	52	2.6	68	Bi (4)	350	48
PHB42S48-630	0.4	30	38	34	2.6	68	Uni (6)	350	48
PHB42S60-403	2.3	1.4	2.5	70	3.6	80	Bi (4)	480	60
PHB42S63-403	2.3	1.5	2.2	80	4.0	85	Bi (4)	500	63

Mechanical Dimension



Wiring Diagram

