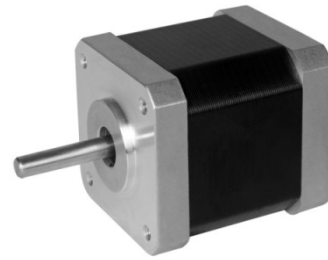


NEMA 17

3.75°

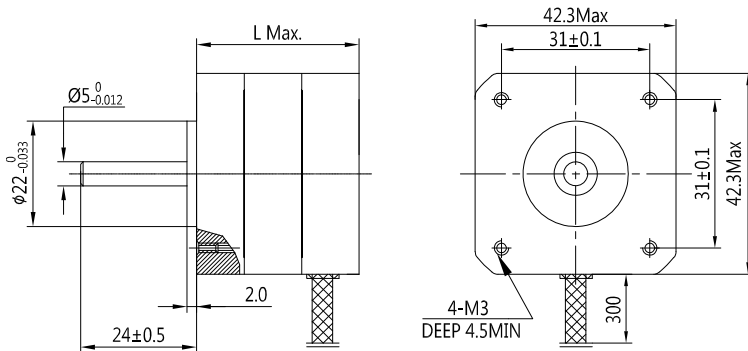
Step Angle	3.75°
Step Angle Accuracy	±5% (full step, no load)
Resistance Accuracy	±10%
Inductance Accuracy	±20%
Temperature Rise	80 °C Max.(rated current)
Ambient Temperature	-20 °C ~ +50 °C
Insulation Resistance	100 MΩ Min., 500VDC
Dielectric Strength	500 VAC for one minute
Shaft Radial Play	0.02 Max. (450 g-load)
Shaft Axial Play	0.08 Max. (450 g-load)



Specifications

Model	Current	Resistance	Inductance	Holding Torque	Detent Torque	Rotor Inertia	# of Leads	Weight	Length
	A/∅	Ω/∅	mH/∅	N.cm	N.cm	g.cm ²	Pin	g	mm
PHB42R40-315	1.5	2.5	5.5	20	2.2	54	3	280	40
PHB42R48-315	1.5	3.6	7.0	30	2.6	68	3	350	48

Mechanical Dimension



Wiring Diagram

