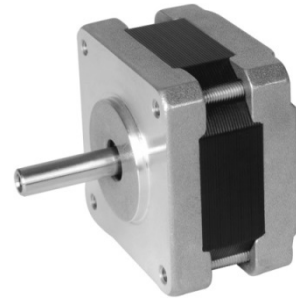


NEMA 16

1.8°

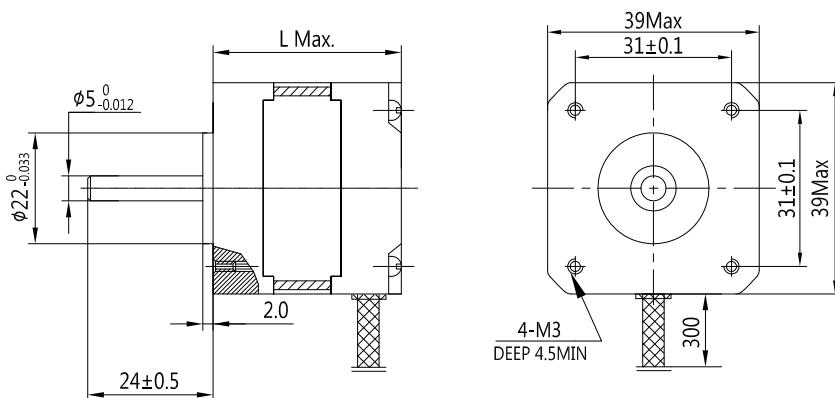
Step Angle	1.8°
Step Angle Accuracy	±5% (full step, no load)
Resistance Accuracy	±10%
Inductance Accuracy	±20%
Temperature Rise	80 °C Max.(rated current, 2 phase on)
Ambient Temperature	-20 °C ~ +50 °C
Insulation Resistance	100 MΩ Min., 500VDC
Dielectric Strength	500 VAC for one minute
Shaft Radial Play	0.02 Max. (450 g-load)
Shaft Axial Play	0.08 Max. (450 g-load)



Specifications

Model	Current	Resistance	Inductance	Holding Torque	Detent Torque	Rotor Inertia	Bi/Unipolar	Weight	Length
	A/∅	Ω/∅	mH/∅	N.cm	N.cm	g.cm ²	# of Leads	g	mm
PHB39Y20-401	0.42	18	12	8	0.5	12	Bi (4)	100	20
PHB39Y26-401	0.6	9	10	14	0.8	14	Bi (4)	120	26
PHB39Y34-401	0.6	12	13	18	1.0	19	Bi (4)	160	34
PHB39Y34-402	1.2	3.2	3.0	16	1.0	19	Bi (4)	160	34
PHB39Y34-630	0.4	30	14	12	1.0	19	Uni (6)	160	34
PHB39Y40-401	0.6	12	20	24	1.2	24	Bi (4)	210	40
PHB39Y40-402	1.2	3.8	6.5	24	1.2	24	Bi (4)	210	40
PHB39Y40-630	0.4	30	22	18	1.2	24	Uni (6)	210	40

Mechanical Dimension



Wiring Diagram

