

NEMA 16

0.9°

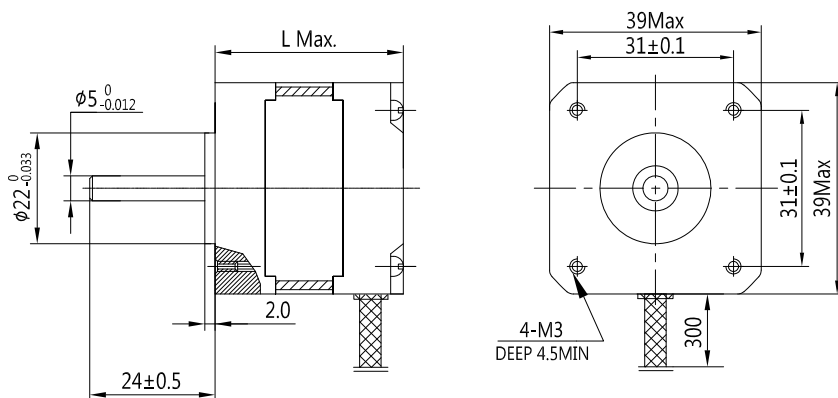
Step Angle	0.9°
Step Angle Accuracy	±5% (full step, no load)
Resistance Accuracy	±10%
Inductance Accuracy	±20%
Temperature Rise	80 °C Max.(rated current, 2 phase on)
Ambient Temperature	-20 °C ~ +50 °C
Insulation Resistance	100 MΩ Min., 500VDC
Dielectric Strength	500 VAC for one minute
Shaft Radial Play	0.02 Max. (450 g-load)
Shaft Axial Play	0.08 Max. (450 g-load)



### Specifications

Model	Current	Resistance	Inductance	Holding Torque	Detent Torque	Rotor Inertia	Bi/Unipolar	Weight	Length
	A/∅	Ω/∅	mH/∅	N.cm	N.cm	g.cm <sup>2</sup>	# of Leads	g	mm
PHB39M20-401	0.42	20	16	8	0.5	15	Bi (4)	100	20
PHB39M26-401	0.6	9	16	14	0.8	18	Bi (4)	120	26
PHB39M34-401	0.6	9	15	16	1.1	23	Bi (4)	160	34
PHB39M34-402	1.2	2.5	3.6	16	1.1	23	Bi (4)	160	34
PHB39M34-630	0.4	30	16	12	1.1	23	Uni (6)	160	34
PHB39M40-401	0.6	12	20	22	1.4	30	Bi (4)	210	40
PHB39M40-402	1.2	3.2	5.5	22	1.4	30	Bi (4)	210	40
PHB39M40-630	0.4	30	26	18	1.4	30	Uni (6)	210	40

### Mechanical Dimension



### Wiring Diagram

