

NEMA 16

0.36°

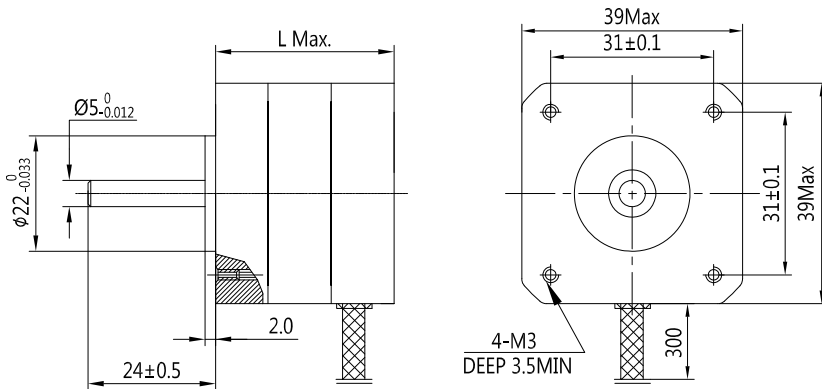


Step Angle	0.36°
Step Angle Accuracy	±5% (full step, no load)
Resistance Accuracy	±10%
Inductance Accuracy	±20%
Temperature Rise	80 °C Max.(rated current)
Ambient Temperature	-20 °C ~ +50 °C
Insulation Resistance	100 MΩ Min., 500VDC
Dielectric Strength	500 VAC for one minute
Shaft Radial Play	0.02 Max. (450 g-load)
Shaft Axial Play	0.08 Max. (450 g-load)

Specifications

Model	Current	Resistance	Inductance	Holding Torque	Detent Torque	Rotor Inertia	# of Leads	Weight	Length
	A/φ	Ω/φ	mH/φ	N.cm	N.cm	g.cm ²	Pin	g	mm
PHB39G31-508	0.75	1.8	1.8	7.5	1.2	14	5	140	31
PHB39G40-508	0.75	2.5	2.5	13.5	1.6	25	5	200	40

Mechanical Dimension



Wiring Diagram

5 Leads

