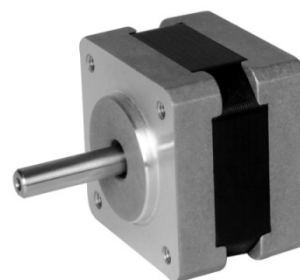


NEMA 14

1.8°

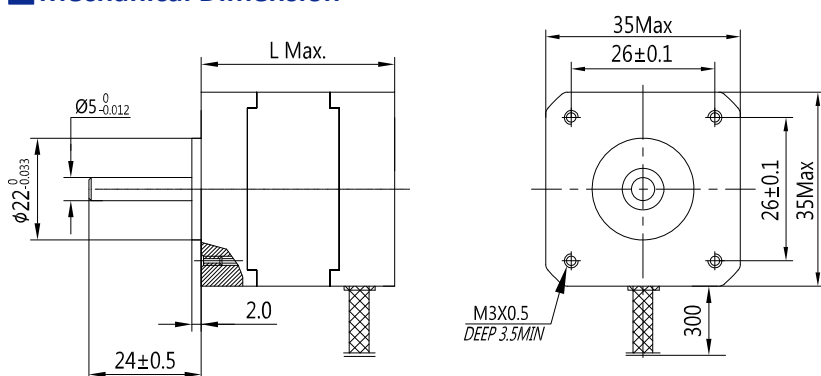
Step Angle	1.8°
Step Angle Accuracy	±5% (full step, no load)
Resistance Accuracy	±10%
Inductance Accuracy	±20%
Temperature Rise	80 °C Max.(rated current, 2 phase on)
Ambient Temperature	-20 °C ~ +50 °C
Insulation Resistance	100 MΩ Min., 500VDC
Dielectric Strength	500 VAC for one minute
Shaft Radial Play	0.02 Max. (450 g-load)
Shaft Axial Play	0.08 Max. (450 g-load)



Specifications

Model	Current	Resistance	Inductance	Holding Torque	Detent Torque	Rotor Inertia	Bi/Unipolar	Weight	Length
	A/∅	Ω/∅	mH/∅	N.cm	N.cm	g.cm ²	# of Leads	g	mm
PHB35Y20-404	0.4	22	16	5	0.5	9	Bi (4)	90	20
PHB35Y26-402	0.8	4.2	4.5	10	0.6	10	Bi (4)	110	26
PHB35Y28-401	0.46	20	14	12	0.8	11	Bi (4)	120	28
PHB35Y28-402	0.8	5.0	5.0	12	0.8	11	Bi (4)	120	28
PHB35Y28-630	0.4	30	11	9	0.8	11	Uni (6)	120	28
PHB35Y34-401	0.42	25	32	18	1.0	13	Bi (4)	160	34
PHB35Y34-402	0.8	6.5	9.8	18	1.0	13	Bi (4)	160	34
PHB35Y34-630	0.4	30	22	12	1.0	13	Uni (6)	160	34
PHB35Y42-402	0.8	10.5	13	22	1.5	22	Bi (4)	200	42
PHB35Y52-415	1.5	3.5	7.6	30	2.0	26	Bi (4)	230	52
PHB35Y52-418	1.8	2.5	5.0	30	2.0	26	Bi (4)	230	52

Mechanical Dimension



Wiring Diagram

