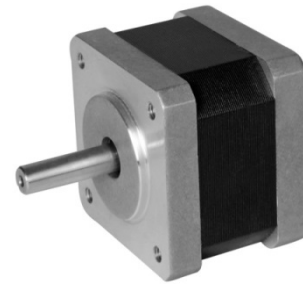


NEMA 14

0.9°

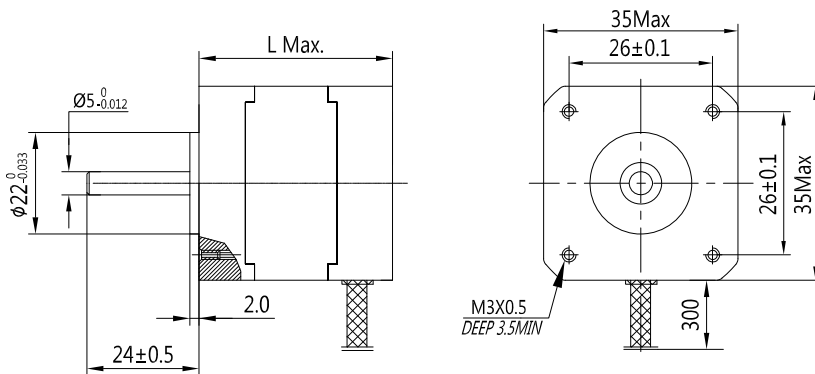
Step Angle	0.9°
Step Angle Accuracy	±5% (full step, no load)
Resistance Accuracy	±10%
Inductance Accuracy	±20%
Temperature Rise	80 °C Max.(rated current, 2 phase on)
Ambient Temperature	-20 °C ~ +50 °C
Insulation Resistance	100 MΩ Min., 500VDC
Dielectric Strength	500 VAC for one minute
Shaft Radial Play	0.02 Max. (450 g-load)
Shaft Axial Play	0.08 Max. (450 g-load)



Specifications

Model	Current	Resistance	Inductance	Holding Torque	Detent Torque	Rotor Inertia	Bi/Unipolar	Weight	Length
	A/∅	Ω/∅	mH/∅	N.cm	N.cm	g.cm ²	# of Leads	g	mm
PHB35W20-404	0.4	24	18	5	0.2	10	Bi (4)	120	20
PHB35W28-405	0.55	10	9.5	9	0.3	12	Bi (4)	130	28
PHB35W28-408	0.8	4.5	4.5	9	0.3	12	Bi (4)	130	28
PHB35W28-436	0.36	22	20	9	0.3	12	Bi (4)	130	28
PHB35W28-630	0.4	30	12	8	0.3	12	Uni (6)	130	28
PHB35W34-402	0.55	12	19	14	0.6	18	Bi (4)	190	34
PHB35W34-403	0.8	6.0	10	14	0.6	18	Bi (4)	190	34
PHB35W34-436	0.36	28	42	14	0.6	18	Bi (4)	190	34
PHB35W34-630	0.4	30	18	10	0.6	18	Uni (6)	190	34

Mechanical Dimension



Wiring Diagram

