

NEMA 11

1.8°

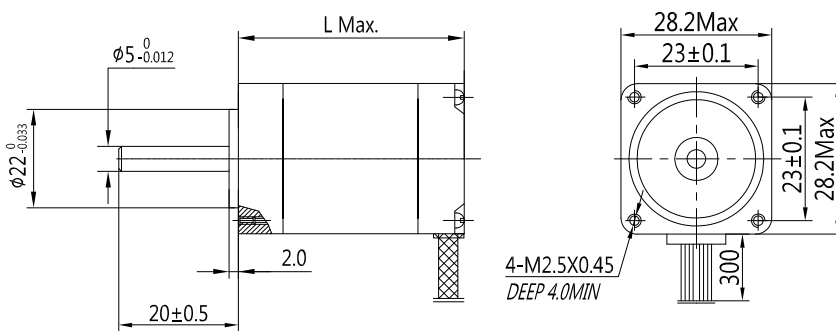
Step Angle	1.8°
Step Angle Accuracy	±5% (full step, no load)
Resistance Accuracy	±10%
Inductance Accuracy	±20%
Temperature Rise	80 °C Max. (rated current, 2 phase on)
Ambient Temperature	-20 °C ~ +50 °C
Insulation Resistance	100 MΩ Min., 500VDC
Dielectric Strength	500 VAC for one minute
Shaft Radial Play	0.02 Max. (450 g-load)
Shaft Axial Play	0.08 Max. (450 g-load)



Specifications

Model	Current	Resistance	Inductance	Holding Torque	Detent Torque	Rotor Inertia	Bi/Unipolar	Weight	Length
	A/∅	Ω/∅	mH/∅	N.cm	N.cm	g.cm ²	# of Leads	g	mm
PHB28Y28-401	0.6	4.2	2.2	4.5	0.3	6	Bi (4)	95	28
PHB28Y28-402	0.35	12	5.8	4.5	0.3	6	Bi (4)	95	28
PHB28Y33-401	0.6	5.5	3.2	6.0	0.4	8	Bi (4)	110	33
PHB28Y33-402	0.35	15	9.2	6.0	0.4	8	Bi (4)	110	33
PHB28Y41-401	0.6	7.0	6.0	8.0	0.5	11	Bi (4)	140	41
PHB28Y41-402	0.35	20	15	8.0	0.5	11	Bi (4)	140	41
PHB28Y50-401	0.6	9.0	7.2	10	0.8	13	Bi (4)	180	50
PHB28Y50-402	0.35	24	18.5	10	0.8	13	Bi (4)	180	50

Mechanical Dimension



Wiring Diagram

