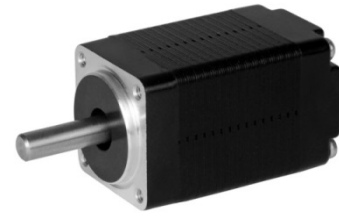


NEMA 8

1.8°

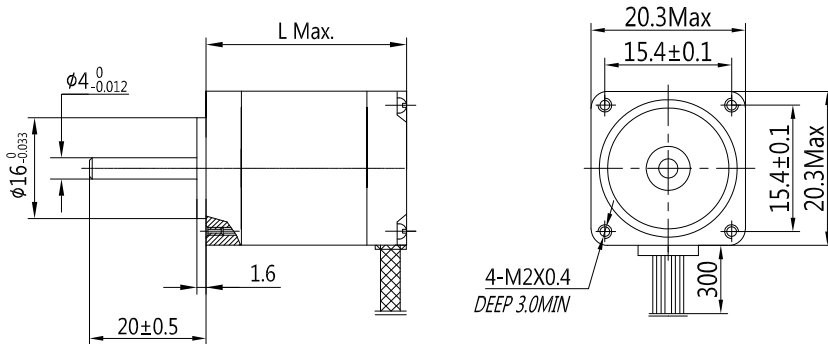
Step Angle	1.8°
Step Angle Accuracy	±5% (full step, no load)
Resistance Accuracy	±10%
Inductance Accuracy	±20%
Temperature Rise	80 °C Max. (rated current, 2 phase on)
Ambient Temperature	-20 °C ~ +50 °C
Insulation Resistance	100 MΩ Min., 500VDC
Dielectric Strength	500 VAC for one minute
Shaft Radial Play	0.02 Max. (450 g-load)
Shaft Axial Play	0.08 Max. (450 g-load)



Specifications

Model	Current	Resistance	Inductance	Holding Torque	Detent Torque	Rotor Inertia	Bi/Unipolar	Weight	Length
	A/∅	Ω/∅	mH/∅	N.cm	N.cm	g.cm ²	# of Leads	g	mm
PHB20Y28-402	0.2	23	8.2	1.4	0.2	2.5	Bi (4)	50	28
PHB20Y28-406	0.6	3.2	0.9	1.4	0.2	2.5	Bi (4)	50	28
PHB20Y34-402	0.2	25	8.4	1.8	0.3	3.2	Bi (4)	70	34
PHB20Y34-406	0.6	4.5	1.2	1.8	0.3	3.2	Bi (4)	70	34
PHB20Y40-402	0.2	32	8.8	2.4	0.5	4.5	Bi (4)	82	40
PHB20Y40-406	0.6	5.8	1.6	2.4	0.5	4.5	Bi (4)	82	40

Mechanical Dimension



Wiring Diagram

